

【Technical Parameters】

Operating voltage (V): DC5V

Quiescent Current (mA): 4mA

Modulation: AM (OOK)

Operating temperature: $-10\text{ }^{\circ}\text{C} \sim 70\text{ }^{\circ}\text{C}$

Receiver sensitivity (dBm): -105DB

Operating frequency (MHz): 315, 433.92 MHz (266-433MHz frequency band can be optional)

Dimensions (LWH): 30 * 14 * 7mm

Remarks:

Requirements such as the pro distance farther, then 1/4 wavelength antenna, generally use 50 ohm single-core wire, the length of the antenna 315M of approximately 23cm, 433M is about 17cm;

Reception antenna location on the module also affects the installation, the antenna as far as possible straight away from the shield, high pressure, and interference source place; receiving frequency used, decoding and oscillation resistor should match with the launch

Pin and instructions for use:

The ANT connected antenna side

2 VCC power supply positive

3,4 the DATA data output

5 GND negative power

The receiver module has four external interfaces, VCC positive power supply, "DATA" Output "GND" indicates the power supply negative (products labeled in English).

Uses: remote control switch, receiver module, motorcycle, automobile anti-theft products, household anti-theft products, electric doors, shutter doors, windows, remote control socket, remote control the LED, remote control stereo, remote control electric gate, garage door remote control, remote control retractable doors, remote control volume gate, sliding door, remote control door opener, door closing device control system, remote control curtains, alarm system, alarm, remote control motorcycle, remote control electric cars, remote control MP3, remote lights, remote control cars, security and other remote areas of civil and industrial facilities

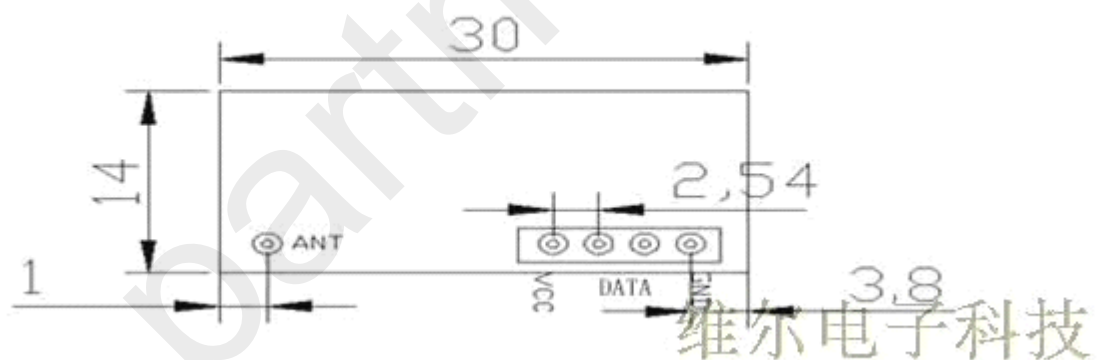
Quality characteristics:

1, the receiver module and fixed code on the market, the same frequency remote control to learn the code any ancillary use, can be equipped with all wireless remote control of the shop.

2, the super-regenerative receiver module LC oscillator circuit

containing zoom in shaping the output data signal is TTL level and can be directly to the decoder is extremely easy to use, and inexpensive, so widely used. Small size, high sensitivity, easy debugging; frequency, short lead times; consistency of product quality, cost-effective, the current is the amount of wireless remote control market is the largest and most widely used form of high-frequency receiver module. Receiver module has a wide receiver bandwidth, typically $\pm 10\text{MHz}$, factory general tone in the 315MHz or 433.92MHz (if there are special requirements for adjustable frequency, adjustment of the frequency range 266MHz ~ 433MHz.) Receiver module with DC5V power supply generally, any special requirements to adjust the voltage, the voltage adjustment range of 3 ~ 8V.

For 4mA quiescent operating current of the receiver module factory generally, if there are special requirements can reduce the current, minimum current is adjustable to 1.5mA, but the receiver sensitivity will be reduced. Factory receiver module output noise output, if any special requirements can be changed without the noise output, but will reduce the receiver sensitivity.



接收模块尺寸图